

SEETRONIC

Product Data Sheet

Product Type IP65 Waterproof Combined Power Socket

Product Model SAC3PX


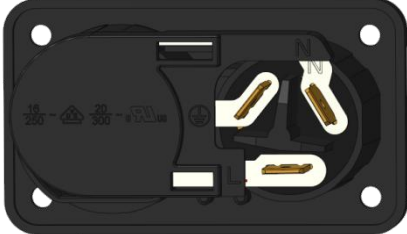
Customer Name _____

Manufacturer	Prepared	Checked	Approved

Customer	Received	Checked	Confirmed



Product Data Sheet

Product Type	IP65 Waterproof Combined Power Socket	
Product Model	SAC3PX	

Product Features

- Lockable three-core device combined power-in and power-out socket connector with contacts for linear, neutral and pre-adapted safety grounding
- The combination of SAC3MPX and SAC3FPX which saves space for chain connections while making the equipment looks more nice
- Waterproof grade IP65 and protection class IP67 for terminal equipment
- Certified UL, VDE, CQC standards
- The protective rubber cover with model number CNAC-PX is not included



Product Data Sheet

Electrical Parameters

Item	Specification
Number of Contacts	2 + PE
Rated Current	16A VDE (20A UL)
Rated Voltage	250V AC VDE (300V AC UL)
Contact Resistance	$\leq 5 \text{ m}\Omega$
Dielectric Strength	4000V DC (1600V/min AC UL)
Insulation Resistance	$> 1000 \text{ M}\Omega$

Mechanical Parameters

Item	Specification
Service Life	> 1000 mating cycles
Cable Size	2.5mm^2 (12 AWG)



Product Data Sheet

Material and Environmental Parameters

Item	Specification
Housing	PA
Contacts	Cu alloy
Contact plating	Au
Flame-retardant grade	UL 94-V0
Temperature range	-30°C ~ +80°C
Protection degree	IP65

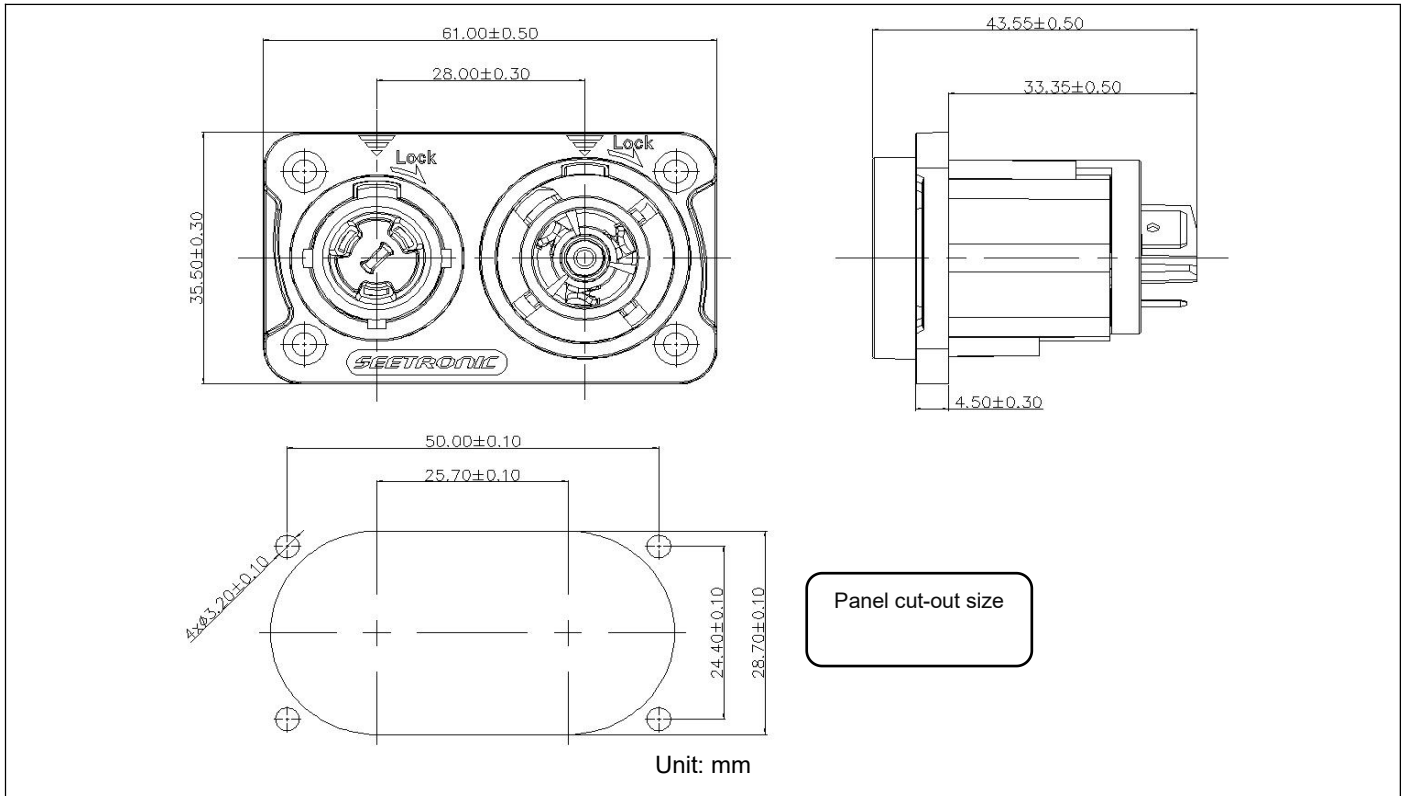
Standards and Certifications

Standards	UL498 UL50E IEC61984 GB/T 34989
Certifications	UL: E356932 VDE: 40044166 CQC:CQC23003410681



Product Data Sheet

Product Drawing



Packaging Method

Blister box packaging (only include the socket body, waterproof rubber is not included and need to be purchased separately)

10 pcs per blister box, 40 pcs per inner carton, 5 inner carton per master carton (200 pcs per master carton)

Accessory

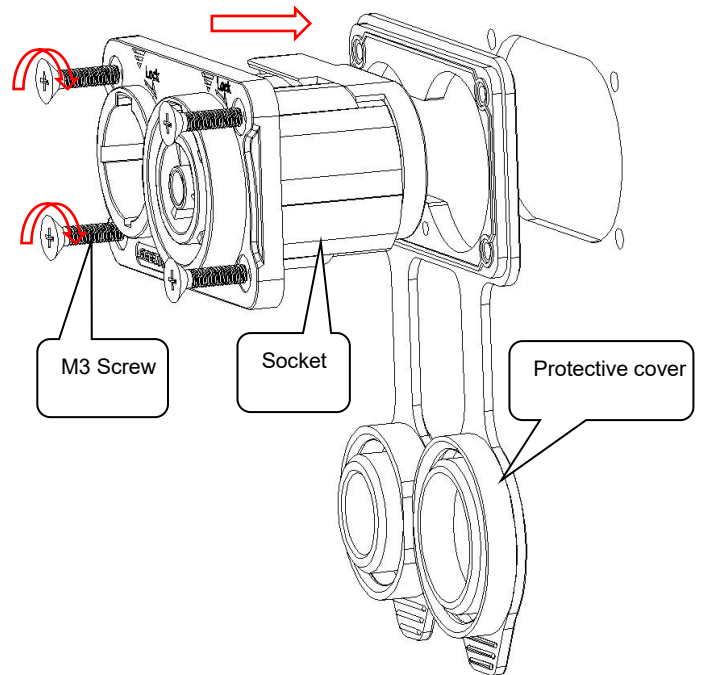
- | | |
|--|--|
| <input checked="" type="checkbox"/> No accessories | <input type="checkbox"/> Back fastener plate |
| <input type="checkbox"/> Screws and Nuts | <input type="checkbox"/> Other |



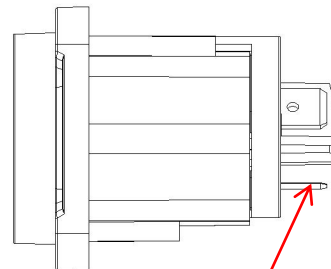
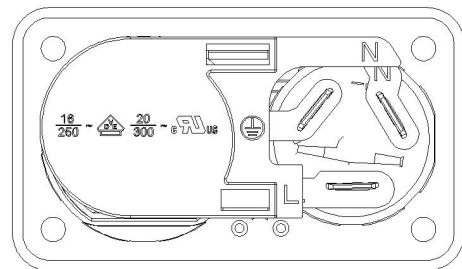
Product Data Sheet

Assembly Instructions

Put the protective cover on the rear side of the socket and then install on the front of the panel. Finally, tighten the screws with 0.5 Nm torque in clockwise direction.



Type of Terminals



Soldering / plugging 6.3x0.8 terminals

